

X-32

FOUR PISTON OPPOSED CALIPER



FEATURES

- // 2 piece aluminum construction
- // Motorcycle industry standard (100mm x 30mm) caliper mount
- // Multiple piston material options

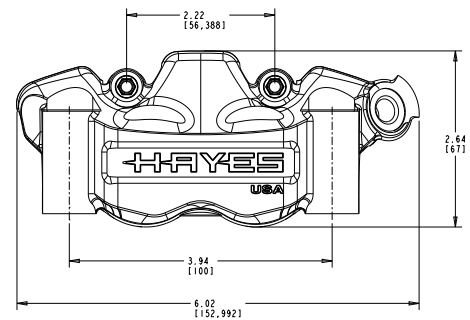


SPECIFICATIONS

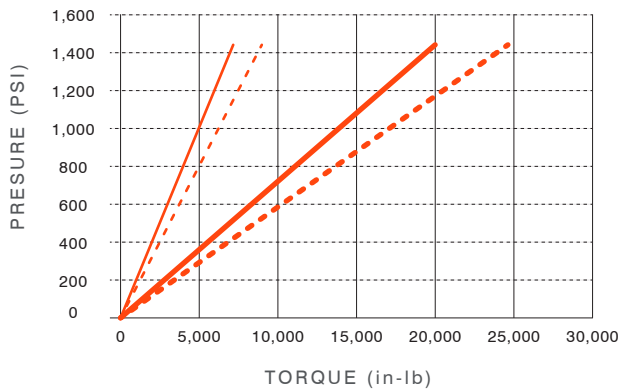
WEIGHT	2.36 Lbs.
LINING TYPE	Sintered
TOTAL LINING AREA	3.28 Sq. In.
USABLE LINING THICKNESS PER PAD	0.170 In.
PISTON DIAMETER	Twin Opposed 1.25"
FLUID TYPE	Brake Fluid
FLUID INLET	3:00, 9:00
BLEEDER	Banjo Bleeder
ROTOR DIAMETER	6" - 14"

Specifications are guidelines only and subject to change. Consult Hayes Performance Systems for specific model, part number, and assembly drawings - contact@hbpsi.com

REFERENCE DIMENSIONS



TORQUE INFORMATION



- Dia = 6 in, Mu=.45
- Dia = 14 in, Mu=.45
- - - Dia = 6 in, Mu=.55
- - - Dia = 14 in, Mu=.55

